



TECHNICAL DATA

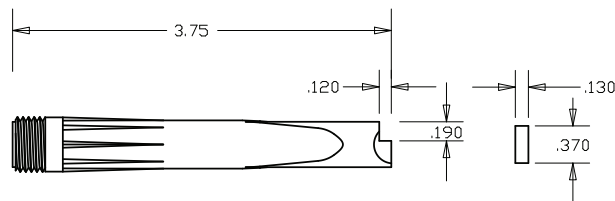
Semco® Specialty Application Nozzles

For the application of sealant fillets over lap joints. These nozzles eliminate the need for tooling the sealant with spatulas and therefore increase productivity.

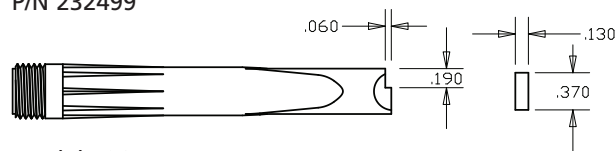
The model 425, 426, 427 and 428 nozzles have a built-in step to guide the nozzle along the lap joint to produce a smooth, uniform fillet. The model 429 nozzle has no step and therefore provides

versatility for use at odd angles and in confined spaces.

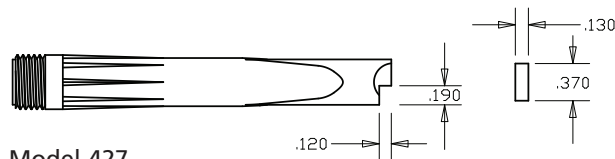
These disposable nozzles are precision molded and have a 1/4 NPT male thread to fit Semco® 1, 2.5, 6, 8, 12, 20, 32 oz. and 1/10 gallon disposable cartridges. When these nozzles are used in conjunction with a Semco® model 250A sealant gun, a smooth, uniform fillet can be applied each time.



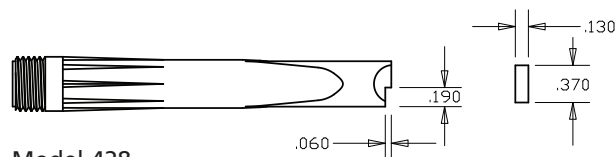
Model 425
P/N 232499



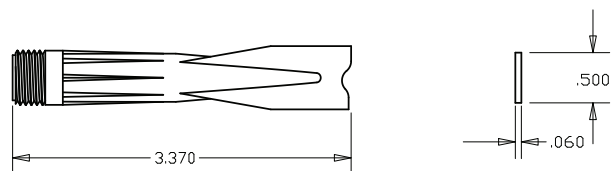
Model 426
P/N 232500



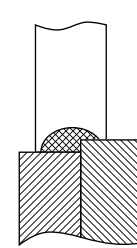
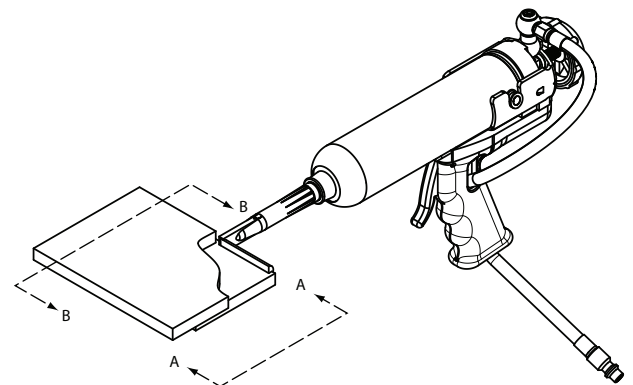
Model 427
P/N 232501



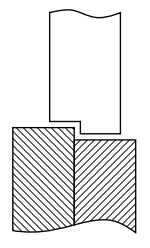
Model 428
P/N 232502



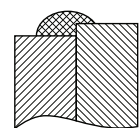
Model 429
P/N 232590



Detail A-A



Detail B-B

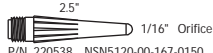

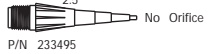
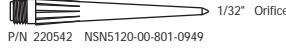

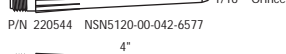
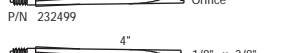
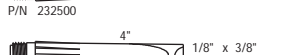
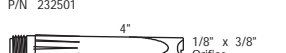
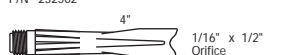
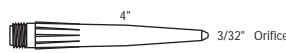
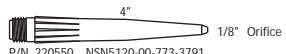
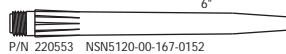
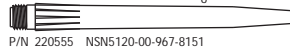

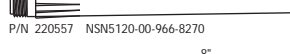
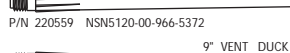
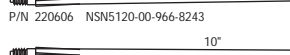
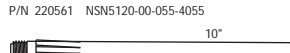


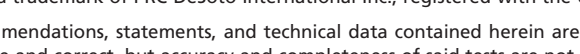


Finished fillet

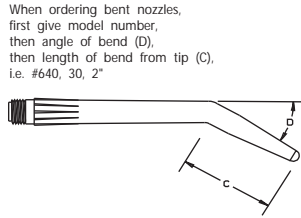
Nozzles shown above are precision molded of low density polyethylene. All dimensions shown are in inches.

Semco® Specialty Application Nozzles

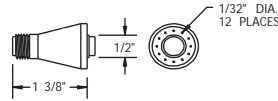
Model no.

- 252  2.5" 1/16" Orifice
P/N 220538 NSN5120-00-167-0150
- 254  2.5" 1/8" Orifice
P/N 220540 NSN5120-00-673-1885
- 255  2.5" No Orifice
P/N 233495
- 410  4" 1/32" Orifice
P/N 220542 NSN5120-00-801-0949
- 415  4" No Orifice
P/N 227613
- 420  4" 1/16" Orifice
P/N 220544 NSN5120-00-042-6577
- 425  4" 1/8" x 3/8" Orifice
P/N 232499
- 426  4" 1/8" x 3/8" Orifice
P/N 232500
- 427  4" 1/8" x 3/8" Orifice
P/N 232501
- 428  4" 1/8" x 3/8" Orifice
P/N 232502
- 429  4" 1/16" x 1/2" Orifice
P/N 232590
- 430  4" 3/32" Orifice
P/N 220548 NSN120-00-967-8151
- 440  4" 1/8" Orifice
P/N 220550 NSN5120-00-773-3791
- 620  6" 1/16" Orifice
P/N 220553 NSN5120-00-167-0152
- 640  6" 1/8" Orifice
P/N 220555 NSN5120-00-967-8151
- 650  6" 3/8" Orifice
P/N 224494
- 820  8" 1/16" Orifice
P/N 220557 NSN5120-00-966-8270
- 840  8" 1/8" Orifice
P/N 220559 NSN5120-00-966-5372
- 8690  9" VENT DUCK NOZZLE 3/32" Orifice
P/N 220606 NSN5120-00-966-8243
- 1002  10" 1/16" Orifice
P/N 220561 NSN5120-00-055-4055
- 1004  10" 1/8" Orifice
P/N 220563 NSN5120-00-055-4054
- 1010  10" 5/16" Orifice
P/N 220565 NSN5120-00-055-4058

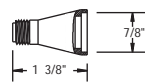
Bent nozzles



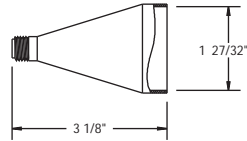
Floorboard nozzle
P/N 231674



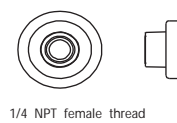
1" Funnel nozzle
P/N 231718



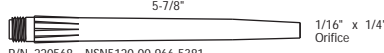
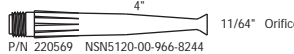
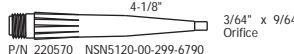


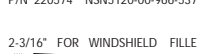



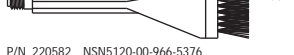
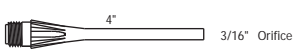

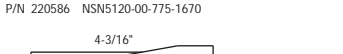
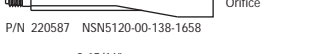
2" Funnel nozzle
P/N 231348



Nozzle adapter
P/N 229306



Model no.

- 8607  5-7/8" 1/16" x 1/4" Orifice
P/N 220568 NSN5120-00-966-5381
- 8608  4" 11/64" Orifice
P/N 220569 NSN5120-00-966-8244
- 8610  4-1/8" 3/64" x 9/64" Orifice
P/N 220570 NSN5120-00-299-6790
- 8613  5" 3/64" x 3/8" Orifice
P/N 220572 NSN5120-00-966-5379
- 8615  4" 1/16" x 1/2" Orifice
P/N 220574 NSN5120-00-966-5378
- 8616  2-3/16" FOR WINDSHIELD FILLET .218" Orifice
P/N 220577
- 8630  4" 1/8" x 1-3/4" Orifice
P/N 220581 NSN5120-00-966-5377
- 8630-9  4-7/8" 1/8" x 1-3/4" Orifice
P/N 220582 NSN5120-00-966-5376
- 8642  4" 3/16" Orifice
P/N 220585 NSN5120-00-293-4676
- 8643  4-3/8" 1/8" x 3/4" Orifice
P/N 220586 NSN5120-00-775-1670
- 8645  4-3/16" 1/8" x 1" Orifice
P/N 220587 NSN5120-00-138-1658
- 8646  3-15/16" 1/8" x 3/4" Orifice
P/N 220588 NSN5120-00-966-5374
- 8648  3-5/8" x 5-3/16" 1/8" x 3/4" Orifice
P/N 220589 NSN5120-00-966-5375
- 600E  EXTENSION NOZZLE 6-3/8" 1/4 NPT
P/N 220552 NSN5120-00-670-1187

All nozzles are designed to fit into Semco® cartridges

Semco is a trademark of PRC-DeSoto International Inc., registered with the US Patent Office.

All recommendations, statements, and technical data contained herein are based on tests we believe to be reliable and correct, but accuracy and completeness of said tests are not guaranteed and are not to be construed as a warranty, either expressed or implied. User shall rely on his own information and tests to determine suitability of the product for the intended use and assumes all risks and liability resulting from his use of the product. Seller's and manufacturer's sole responsibility shall be to replace that portion of the product of this manufacturer which proves to be defective. Neither seller nor manufacturer shall be liable to the buyer or any third person for any injury, loss, or damage directly or indirectly resulting from use of, or inability to use, the product. Recommendations or statements other than those contained in a written agreement signed by an officer of the manufacturer shall not be binding upon the manufacturer or seller.

Printed in the U.S.A

PRC-DeSoto International, Inc.
12780 San Fernando Road
Sylmar, CA 91342
Telephone (818) 362-6711
Toll Free (800) AEROMIX
www.semco-packaging.com

Issue Date: 06/12
Supersedes: 11/02
Lit: 0625