

# Technical Data Sheet

Aerospace Packaging and Application Systems



## Semco® 1250-A Battery Powered Dispensing Tool



### Description

PPG SEMCO® Model 1250-A is a battery powered dispensing tool intended for the application of sealants, adhesives, potting compounds, and other materials packaged in *Semco* cartridges or SEMKIT® Packages. The unit is designed for usage in the aerospace and electronics industries and offers the convenience of a light-weight, powered dispensing solution without the hassle of an air hose. Each unit comes with (2) 12V lithium-ion batteries, a 2.5 oz. threaded plastic retainer, a 6 oz threaded plastic retainer, a charger base and a universal charging cord. The *Semco* 1250-A battery powered dispensing unit is upgraded with a new variable dispensing speed trigger and adjustable retraction to minimize & adapt to drool associated with some sealants. These upgrades are a step towards the advantages associated with pneumatic dispensing.

### Recommended Uses

The *Semco* Model 1250-A dispensing tool is optimized for by-pass free dispensing when using materials packaged in *Semco* cartridges with a wiper plunger (WP) or P-plungers installed. Aerospace sealants and adhesives supplied in packages other than *Semkits* can be evaluated by the *Semco* engineering team to advise on the best possible solution for by-pass free dispensing.

### Accessories

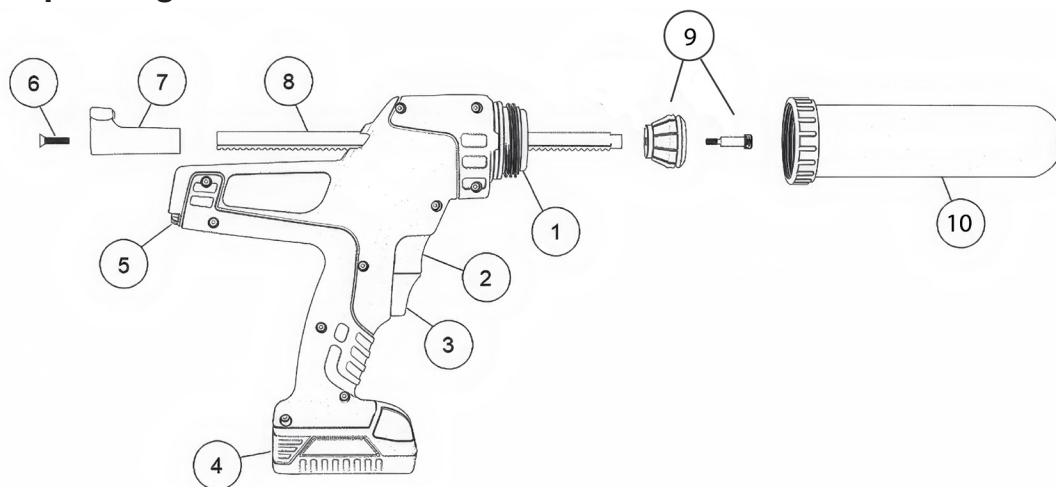
PPG's aerospace business provides precision molded *Semco* brand cartridges, plungers, nozzles, sem-luer adapters, and sem-needles. When these accessories are used in conjunction with the *Semco* Model 1250-A dispensing tool, the exact amount of material can be dispensed at the precise location required.

### Features

- Light weight (less than 3.5 lb)
- By-pass free operation for *Semkit* packaging using PPG *Semco* patented expandable piston
- Ergonomically designed – optimizes the weight balance in operators' hands
- Improved portability, no air hose required
- 30 minutes to completely charge 12V lithium-ion battery
- Fully charged battery can dispense between 35 and 40 six ounce *Semco* cartridges
- Variable retraction control (1-9) on rear of dispenser
- 2.2 (kN) stall force

# Semco® 1250-A

## Battery Powered Dispensing Tool



### Functional description key

	Part number	Description
1	235306 & 235307	Retainer mount w/pin & cartridge nut
2	NA	Clutch trigger
3	NA	Variable speed power trigger
4	235651	12 volt lithium ion battery
5	NA	Retract control
6	NA	Drive rod screw
7	235310	Drive rod handle
8	235309	Drive rod, 6 oz
9	235475	Expandable piston assembly, black
10	229780	6 oz nylon retainer, black

### These accessories are recommended for use with the Semco 1250-A

PN	Description	PN	Description
235653	Universal charging cord	235481	Dispensing kit, 1/10-gallon battery gun
229779	2.5 oz nylon retainer, black	235482	Dispensing kit, 20 oz battery gun
235308	Drive rod, 2.5 oz	235483	Dispensing kit, 32 oz battery gun
235307	Cartridge nut	235479	2.5 oz plastic retainer, clear - optional
235306	Retainer mount w/ pin	235480	6.0 oz plastic retainer, clear - optional
235476	Expandable piston assembly, blue	235491	Battery charger

The PPG logo is a registered trademark of PPG Industries Ohio, Inc. Semco and Semkit are registered trademarks of PRC-DeSoto International, Inc. © 2024 PPG Industries, Inc. All rights reserved.

IN NO EVENT WILL PPG BE LIABLE UNDER ANY THEORY OF RECOVERY (WHETHER BASED ON NEGLIGENCE OF ANY KIND, STRICT LIABILITY OR TORT) FOR ANY INDIRECT, SPECIAL, INCIDENTAL, OR CONSEQUENTIAL DAMAGES IN ANY WAY RELATED TO, ARISING FROM, OR RESULTING FROM ANY USE MADE OF THE PRODUCT. The information in this sheet is intended for guidance only and is based upon laboratory tests that PPG believes to be reliable. PPG may modify the information contained herein at any time as a result of practical experience and continuous product development. All recommendations or suggestions relating to the use of the PPG product, whether in technical documentation, or in response to a specific inquiry, or otherwise, are based on data, which to the best of PPG's knowledge, is reliable. The product and related information is designed for users having the requisite knowledge and industrial skills in the industry and it is the end user's responsibility to determine the suitability of the product for its own particular use and it shall be deemed that Buyer has done so, at its sole discretion and risk. PPG has no control over either the quality or condition of the substrate, or the many factors affecting the use and application of the product. Therefore, PPG does not accept any liability arising from any loss, injury or damage resulting from such use or the contents of this information (unless there are written agreements stating otherwise). Variations in the application environment, changes in procedures of use, or extrapolation of data may cause unsatisfactory results. This sheet supersedes all previous versions and it is the Buyer's responsibility to ensure that this information is current prior to using the product. The English text of this sheet shall prevail over any translation thereof.

This document has been reviewed by the PPG Aerospace Export Control Department and has been determined to contain only EAR99 controlled data.

PRC-DeSoto International, Inc.  
12780 San Fernando Road  
Sylmar, CA 91342  
Telephone (818) 362-6711  
Toll Free (800) AEROMIX  
www.ppg.com/aerospace  
Email: [semcoinfo@ppg.com](mailto:semcoinfo@ppg.com)

Issue Date: 12/24  
Supersedes: New  
Lit: 4914