

PPG Semco® 1250-A Battery Powered Dispensing Gun

Instruction Manual

PN- 235650



SEMCO® 1250-A Battery Powered Dispensing Gun

Instruction Manual

Power Unit Model 1250-A (PN- 235650)



Before using the Semco 1250-A, read, understand and save all safety information and instructions including:

- Semco 1250-A instruction manual
- Safety instructions provided in Safety Data Sheet (SDS) and from the manufacturer of material being dispensed from cartridge

Table of Contents

1 - General Safety Rules	2
2 - Work Area	2
3 - Electrical Safety.....	2
4 - Personal Safety	2
5 - Tool Use and Care	3
6 - Service	3
7 - Material Safety Rules	3
8 - Condition of Tool Safety Rules.....	3
9 - Maintenance Safety Rules	4
10 - Operation Safety Rules	4
11 - Definition of Symbols	4
12 - Functional Description	5
13 - Operation	6 - 7
14 - Maintenance.....	7
15 - Accessories	8
Warranty	8
Locations	9

Semco® 1250-A

GENERAL SAFETY RULES - FOR ALL BATTERY OPERATED TOOLS:



1. **WARNING! READ AND UNDERSTAND ALL INSTRUCTIONS.**

Failure to follow all instructions listed below may result in electric shock, fire and/or serious personal injury.

SAVE THESE INSTRUCTIONS

2. **Work Area**

- 2.1 Keep your work area clean and well lit. Cluttered benches and dark areas invite accidents.
- 2.2 Do not operate power tools in explosive atmospheres, such as in the presence of flammable liquids, gases, or dust. Power tools create sparks which may ignite the dust or fumes.
- 2.3 Keep bystanders, children, and visitors away while operating a power tool. Distractions can cause you to lose control.

3. **Electrical Safety**

- 3.1 Do not abuse the cord. Never use the cord to carry the tool. Keep cord away from heat, oil, sharp edges, or moving parts. Replace damaged cords immediately. Damaged cords may create a fire. (Applies only to tools with a separable battery pack, meaning the battery pack is in a separate enclosure from the tool and connected to the tool by a cord.)
- 3.2 A battery operated tool with integral batteries or a separate Battery pack must be recharged only with the specified Charger for the Battery. A Charger that may be suitable for one type of Battery may create a risk of fire when used with another Battery.
- 3.3 Use Battery operated tool only with specifically designated Battery. Use of any other Batteries may create a risk of fire.

4. **PERSONAL SAFETY**



- 4.1 **WARNING** - This appliance can be used by persons with reduced physical, sensory or mental capabilities or lack of experience and knowledge if they have been given supervision or instruction concerning use of the appliance in a safe way and understand the hazards involved.
- 4.2 Stay alert, watch what you are doing, and use common sense when operating a power tool. Do not use a power tool while tired or under the influence of drugs, alcohol, or medication. A moment of inattention while operating power tools may result in serious personal injury.
- 4.3 Dress properly. Do not wear loose clothing or jewelry. Contain long hair. Keep your hair, clothing, and gloves away from moving parts. Loose clothes, jewelry, or long hair can be caught in moving parts.
- 4.4 Avoid accidental starting. Be sure the Power Trigger is in the locked or off position before inserting the Battery. Carrying tools with your finger on the Power Trigger or inserting the Battery into a tool with the Power Trigger on invites accidents.
- 4.5 Remove any adjusting keys or wrenches before turning the tool on. A wrench or a key left attached to a rotating part of the tool may result in personal injury.
- 4.6 Do not overreach. Keep proper footing and balance at all times. Proper footing and balance enable better control of the tool in unexpected situations.
- 4.7 Use safety equipment. Always wear eye protection. Dust mask, non-skid safety shoes, hard hat, or hearing protection must be used for appropriate conditions.

5. Tool Use and Care

- 5.1 Use clamps or other practical ways to secure and support the work piece to a stable platform. Holding the work by hand or against your body is unstable and may lead to loss of control.
- 5.2 Do not force tool. Use the correct tool for your application. The correct tool will do the job better and safer at the rate for which it was designed.
- 5.3 Do not use tool if the Power Trigger does not turn it on or off. A tool that cannot be controlled with the Power Trigger is dangerous and must be repaired.
- 5.4 Disconnect Battery from tool or place the Power Trigger in the locked or off position before making any adjustments, changing accessories, or storing the tool. Such preventative safety measures reduce the risk of starting the tool accidentally.
- 5.5 Store idle tools out of the reach of children and other untrained persons. Tools are dangerous in the hands of untrained users.
- 5.6 When Battery is not in use, keep it away from other metal objects like: paper clip, coins, keys, nails, screws, or other small metal objects that can make a connection from one terminal to another. Shorting the Battery terminals together may cause sparks, burns, or a fire.
- 5.7 Maintain tools with care. Keep cutting tools sharp and clean. Properly maintained tools with sharp cutting edge are less likely to bind and are easier to control.
- 5.8 Check for misalignment or binding of moving parts, breakage of parts, and any other condition that may affect the tool's operation. If damaged, have the tool serviced before using. Many accidents are caused by poorly maintained tools.
- 5.9 Use only accessories that are recommended by the manufacturer for your model. Accessories that may be suitable for one tool may create a risk of injury when used for another tool.


6. Service

- 6.1 Tool service must only be performed by qualified repair personnel. Service or maintenance performed by unqualified personnel may result in a risk of injury.
- 6.2 When servicing a tool, use only identical replacement parts. Follow instructions in the Maintenance section of this manual. Use of unauthorized parts or failure to follow Maintenance Instructions may create a risk of shock or injury.

Specific Safety Rules and Symbols

ADDITIONAL SAFETY RULES - FOR SEMCO 1250-A Battery Powered Dispensing Gun

7. MATERIAL SAFETY RULES

- 7.1 Before using any material, be sure to read, understand, and follow the instructions of the manufacturer of that material. Read the SDS (Safety Data Sheet) supplied by the manufacturer of the material and all writing on the material and the container thoroughly. Material may not dispense properly if it is not at the proper temperature. Material may pose a health hazard without adequate ventilation.
- 7.2  **DANGER!** Do not use to dispense any flammable or explosive material, any material that contains petroleum distillate(s), or any material that cannot be used safely near sparks or near electric motors. Do not use this tool, or any other power tool, if any phrases such as "Flammable", "Explosive", "Keep away from heat, spark, and flame", "Keep away from heat, spark, open flames and any ignition source", "Petroleum Distillate", "Distillates (Petroleum)", "Disconnect electric motors", etc., appear. This product contains an electric motor. All electric motors generate sparks and may ignite vapors from materials.

8. CONDITION OF TOOL SAFETY RULES

- 8.1 Do not use damaged tools. Lockout or clearly mark "DO NOT USE" until repaired. Many accidents are caused by poorly maintained tools.
- 8.2 Do not alter or modify tool. Any alteration or modification is a misuse and may result in a dangerous condition.

9. MAINTENANCE Safety Rules

- 9.1 Do not disassemble tool or Battery. At conclusion of its useful life, remove Battery from tool. Without further disassembly, return Battery intact for recycling and/or discard tool intact. Disassembly and reassembly may create an unsafe condition.
- 9.2 Do not adjust internal components. This may cause an unsafe condition.
- 9.3 Use only mild soap for cleaning. Other cleaning agents such as gasoline, carbon tetrachloride, ammonia, etc., may damage plastic parts. Do not immerse dispenser, battery, or charger in any liquid, as this may cause damage and unsafe conditions.
- 9.4 Always unplug Charger before cleaning and when it is not in use. Failure to do so may result in shock or fire.

10. OPERATION Safety Rules

- 10.1 When operating the Semco 1250-A, use both hands. Use of both hands will help prevent dropping the tool which could cause damage to the tool or operator.
- 10.2 Do not place hand, finger, or other foreign objects in front of Ram Head while Battery is attached. This could result in injury to operator.
- 10.3 Do not use any attachments. Use of attachments could cause personal injury or damage to tool.
- 10.4 Do not operate without Ram Head. This will damage the cartridge and may be dangerous.
- 10.5 Use only with Batteries of rated voltage and same type. Higher voltages may create an electrical hazard. Other Battery types may fall from tool, creating a risk of personal injury.

11. DEFINITION OF SYMBOLS WHICH MAY BE FOUND ON THE TOOL:



Danger, Warning



Direct Current



Keep Hands and Foreign Objects Clear



Watts



Volts



CE



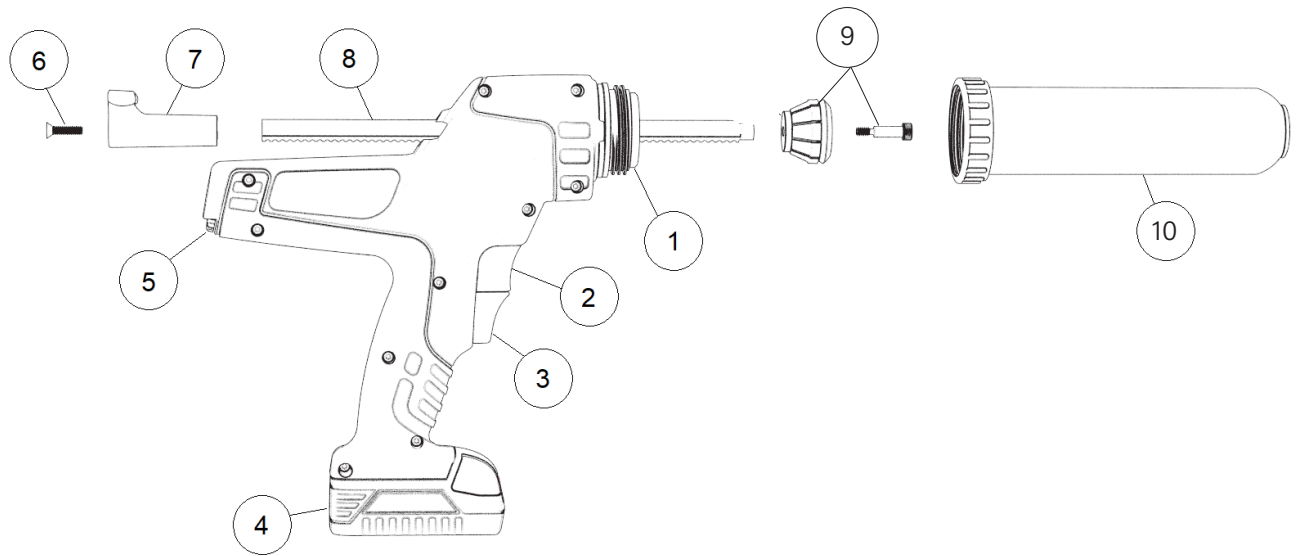
Amps



cCSAus



WARNING -This appliance is not to be used or serviced by children and persons with reduced physical, sensory or mental capabilities or lack of experience and knowledge.



12. Functional Description Key

	Part Number	Description
1	235306 & 25307	Cartridge nut retainer mount w/pin and cartridge nut
2	NA	Clutch trigger
3	NA	Variable speed power trigger
4	235651	12 Volt Lithium ion battery
5	NA	Retract control
6	NA	Drive rod screw
7	235310	Drive rod handle
8	235309	Drive rod, 6 oz
9	235475	Expandable piston assembly, black
10	229780	6 oz. nylon retainer, black

Operation

13. Operation

13.1 Battery Pack

1. Remove and Install Battery Pack (See Figure 2):

To remove Battery, squeeze both release buttons and slide the Battery forward.
To insert Battery, slide Battery fully onto the base of the handle.



Figure 2

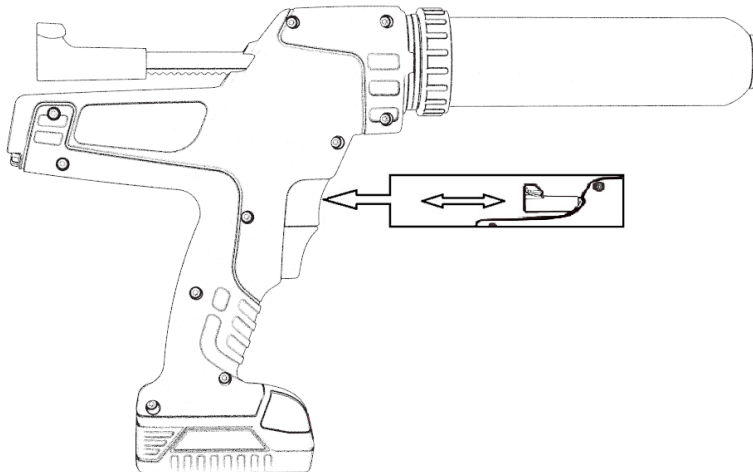


Figure 3

13.2 Install Piston: Push rack forward and then slide ram head over it. Insert and tighten screw into the ram head.

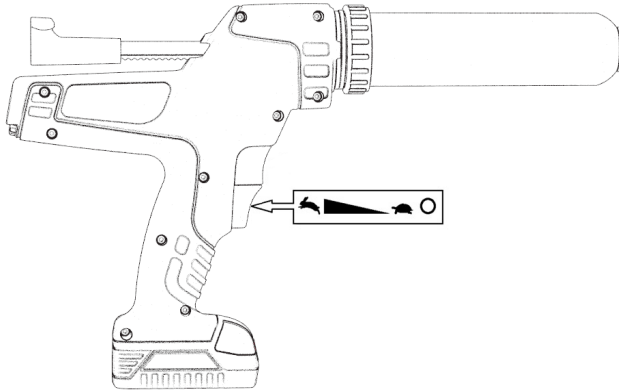
13.3 Dispense Material

To minimize the amount of material drool and delay from trigger pull to dispensing, the suck back control dial should be adjusted according to use case. At the lowest setting there will be no retraction of the rack and at the highest setting there will be maximum retraction. Suck back should be set according to the specific use case; variables such as remaining material, nozzle size, material type, etc. will impact the ideal suck back setting. Drool can be minimized by increasing suck back, while trigger responsiveness can be improved by decreasing suck back. Setting “5” correlates to the fixed suck back amount of prior models. Suck back can be interrupted at any time by pulling the power trigger.



WARNING - Keep all body parts and foreign objects outside of cartridge holder at all times. Fingers can be injured if caught between piston and cartridge holder.

13.4 Starting and Stopping (Figure 4): Pull Power Trigger - Figure 1 - No. 3. (pulling trigger more will increase speed). To stop flow and relieve pressure, release Variable Speed Power Trigger. When dispensing is completed, release Variable Speed Power Trigger, pull Clutch Trigger, and pull Rack fully back. Remove retainer. Remove cartridge.



NOTE – To minimize the chance of damage to the cartridge, the dispenser automatically adjusts its output force. You may experience a variation in motor speed associated with this function. If damage or blowby occur, adjust the speed control to a lower setting.

MAINTENANCE

14. Maintenance:



WARNING – To reduce risk of injury, always unplug the Charger and remove the Battery from the charger or the tool before performing any maintenance. Never disassemble the tool Battery or Charger. Contact local ASC-Application Support Center for all repairs. The Battery must be removed from the tool before disposal. All batteries shall be disposed of safely in accordance with local laws and regulations.

1. Always unplug Charger before cleaning and when it is not in use.

Frequent maintenance can prolong the life and safety of the tool. Every year or as necessary (depending on usage of tool), return it to a service center shown in the service center section of this manual for:

- Electrical and mechanical inspection
- Cleaning and lubrication
- Testing to ensure that the electrical and mechanical systems are in proper operation.

If the Semco 1250-A is not running at full capacity, check to be sure that the Battery is fully charged and that the contacts on the Battery and tool are both clean. If they require maintenance, use caution and clean with an eraser. Service or maintenance performed by unqualified personnel could result in injury or damage.

Keep handles clean, dry and free of oil or grease. Clean with mild soap and damp cloth. Do not use solvents or cleaning agents that can damage tool.

Follow cleaning and maintenance instructions in Battery and Charger manual.

Apply light coating of light machine oil to lubricate Rack as needed.

For internal lubrication and for all other maintenance/repairs, except external cleaning and Battery recharging, return to qualified Service Center, distributor, or manufacturer.

Recycle used Batteries. Comply with all disposal regulations and laws.

ACCESSORIES

15. Accessories

These accessories are recommended for use with the *Semco 1250-A*:

PN	Description	PN	Description
235652	Charger with cord	235481	Dispensing kit, 1/10-gallon battery gun
229779	2.5 oz. Nylon retainer, black	235482	Dispensing kit, 20 oz. battery gun
235308	Drive rod, 2.5 oz.	235483	Dispensing kit, 32 oz. battery gun
235307	Cartridge nut	235479	2.5 oz, plastic retainer, clear - optional
235306	Retainer mount w/pin	235480	6.0 oz, plastic retainer, clear - optional
235476	Expandable piston assembly, blue - others		

For Further nformation please visit ppg.com/aerospace Email: semcoinfo@ppg.com

THE WARRANTY IS NULL AND VOID IF THE TOOL HAS BEEN OPENED OR TAMPERED WITH BY ANYONE OTHER THAN THE DESIGNATED FACTORY SERVICE CENTER.

WARRANTY

For a period of one (1) year from the date of purchase, PPG warrants that this product meets PPG’s standard specification and is free from defects in materials and workmanship. PPG’s liability and Buyer’s exclusive remedy for any non-conformance with the foregoing warranty is expressly limited to repair or replacement of non-conforming parts at the PPG Factory Service Center. Buyer is responsible for shipping costs to the Factory Service Center.

Aerospace Centers

Application Support Centers

ASC – Australia
23 Ovata Drive
Tullamarine, Victoria 3043
Australia
Tel: +61 (3) 9335 1557

ASC – Canada
5676 Timberlea Boulevard
Mississauga, Ontario L4W 4M6
Canada
Tel: +1 905 629 7999

ASC – Central Europe
Hein-Sass-Weg 29
D-21129 Hamburg-Finkenwerder
Germany
Tel: +49 (40) 742 193 10

ASC – Japan
1123-1, Komochimatsu,
Kurozasa-cho,
Miyoshi-shi, Aichi 470-0201
Japan
Tel: +81 561 35 5200

ASC – Middle East & India
Post Office Box 17725
JAFZ, Dubai
U.A.E.
Tel: +971 4 883 9666

ASC – North Europe
Darlington Road
Shildon
Co Durham DL4 2QP
England
Tel: +44 (0) 1388 770222

ASC – South East Asia
8 Seletar Aerospace Ave
Singapore, 797403
Singapore
Tel: +65 6861 1119

ASC - South Europe
7 Allée de la Plaine
Gonfreville l'Orcher
76700 Harfleur
France
Tel: +33 (0) 235 53 43 71

Greater China
ASC - Suzhou
PPG Aerospace Materials
(Suzhou) Co. Ltd.
No. 155 Hua Shan Road
Suzhou New District
Suzhou 215129
Greater China
Tel: +86 (512) 6661 5858

ASC - Tianjin
PPG Aerospace Materials
(Tianjin) Co., Ltd.
Tianjin Airport Economic Area
Integrative Free Trade Zone
Tianjin 300308
Greater China
Tel: +86 (22) 2482 8625

ASC - Toulouse
3 Rue Jacqueline Auriol
31820 Pibrac
France
Tel: +33 (0) 561 494 906

USA

ASC – Atlanta
3330 West Town Point
Drive NW, Suite 100
Kennesaw, GA 30144
USA
Tel: +1 770 429 9998

ASC – Dallas
2750 114th Street
Suite 400
Grand Prairie, TX 75050
USA
Tel: +1 817 640 1067

ASC – Indianapolis
6022 Corporate Way
Indianapolis,
IN 46278
USA
Tel: +1 317 290 1600

ASC – Los Angeles
24811 Avenue Rockefeller
Valencia, CA 91355
USA
Tel: +1 661 678 4209

ASC – Philadelphia
823 East Gate Drive
Mt. Laurel, NJ 08054
USA
Tel: +1 856 234 1600

ASC – Seattle
14126 NE 190th Street
Woodinville, WA 98072
USA
Tel: +1 425 483 3999

Engineered Materials

Manufacturing and Sales

USA
Cuming Microwave
Corporation
264 Bodwell Street
Avon, MA 02322
USA
Tel: +1 508 521 6700

Dexmet Corporation
22 Barnes Industrial Park Rd
Wallingford, CT 06492
USA
Tel: +1 203 294 4440

Aerospace Sealants and Coatings

Manufacturing

France
Coatings
7 Allée de la Plaine
Gonfreville l'Orcher
76700 Harfleur
France
Tel: +33 (0) 235 53 54 00

USA
Sealants and Coatings
11601 United Street
Mojave, CA 93501
USA
Tel: +1 661 824 4532

Manufacturing and Sales

England

Sealants and Coatings
Darlington Road
Shildon
Co Durham DL4 2QP
United Kingdom
Tel: +44 (0) 1388 772541

Regional Sales Offices

Brazil
Av. Alfredo Ignácio Nogueira
Penido, 255
Suites 1709-1710
CEP 12246-000
São José dos Campos-SP
Brazil
Tel: +55 12 3923 4236

France
210 Rue de la Sur
31700 Beauzelle
France
Tel: +33 (0) 5 61 49 48 49

Greater China
Suites 1010-1015, 10/F
Cityplaza One
1111, King's Road
Taikoo Shing
Hong Kong
Tel: +852 2861 0918

India
M/S S.Zhaveri Pharmakem Pvt. Ltd.
308/310, Shiv Smruti Chambers
49, Dr. A.B. Road
Worli, Mumbai 400018
India
Tel: +91 98675 22670

Israel
P.O. Box 2557
Kadima, 60920
Israel
Tel: +972 (0)74 7031300

Turkey
PPG Industries
Cevizli Mah. Cevizli D-100
Güney Yanyol Cad
No:2 KAT: 15 Cevizli-Kartal
Istanbul 34398
Turkey
Tel: +90 (216) 593 90 96

USA
67 S. Higley Road
Ste. 103-424
Gilbert, AZ 85296
USA
Tel: +1 480 471 6227

Aerospace Transparencies

Manufacturing

USA
Huntsville, Alabama
1719 Highway 72 E
Huntsville, AL 35811
USA
Tel: +1 256 859 2500
SITA HSVXPCR

Sylmar, California
12780 San Fernando Road
Sylmar, CA 91342 USA
Tel: +1 818 362 6711

Grand Prairie, Texas
802 Avenue J East
Grand Prairie TX 75053-4036
USA
Tel: +1 972 647 1366

Italy
Casaletto Vaprio (Cremona)
Via delle Tre Venezie, 10
26010 Casaletto Vaprio (Cremona)
ITALY
Tel: +39 (0) 373 27 2011

Transparencies AOG Service

USA and all other world regions except Europe

Tel: +1 256 851 7001

Europe

Tel: +31 (0) 20 407 56 78

PPG Semco® Packaging and Application Systems

Email: semcoinfo@ppg.com

For the Application Support Center nearest you, please visit our website at www.ppg.com/aerospace

IN NO EVENT WILL PPG BE LIABLE UNDER ANY THEORY OF RECOVERY (WHETHER BASED ON NEGLIGENCE OF ANY KIND, STRICT LIABILITY OR TORT) FOR ANY INDIRECT, SPECIAL, INCIDENTAL, OR CONSEQUENTIAL DAMAGES IN ANY WAY RELATED TO, ARISING FROM, OR RESULTING FROM ANY USE MADE OF THE PRODUCT. The information in this sheet is intended for guidance only and is based upon laboratory tests that PPG believes to be reliable. PPG may modify the information contained herein at any time as a result of practical experience and continuous product development. All recommendations or suggestions relating to the use of the PPG product, whether in technical documentation, or in response to a specific inquiry, or otherwise, are based on data, which to the best of PPG's knowledge, is reliable. The product and related information is designed for users having the requisite knowledge and industrial skills in the industry and it is the end user's responsibility to determine the suitability of the product for its own particular use and it shall be deemed that Buyer has done so, at its sole discretion and risk. PPG has no control over either the quality or condition of the substrate, or the many factors affecting the use and application of the product. Therefore, PPG does not accept any liability arising from any loss, injury or damage resulting from such use or the contents of this information (unless there are written agreements stating otherwise). Variations in the application environment, changes in procedures of use, or extrapolation of data may cause unsatisfactory results. This sheet supersedes all previous versions and it is the Buyer's responsibility to ensure that this information is current prior to using the product. The English text of this sheet shall prevail over any translation thereof.

This document has been reviewed by PPG aerospace and it has been determined to contain only EAR99 data.

The PPG logo is a registered trademark of PPG Industries Ohio, Inc. Semco is a registered trademarks of PRC-DeSoto International, Inc.

© 2025 PPG Industries, Inc. All rights reserved.

PRC-DeSoto International, Inc.
12780 San Fernando Road
Sylmar, CA 91342
T: +1 (818) 362-6711
Toll Free: +1 (800) AEROMIX

ppg.com/aerospace
Email: semcoinfo@ppg.com

Issue Date: 01/25
Supersedes: New
Lit:4891